

## TECHNICAL SPECIFICATION

### LED Spotlights LSLCOB



#### Technical data

- Model: 5W; 7W
- Colour temperature: 4000-4300K; 2700-3000K • Rated voltage: 230V/50Hz
- Lumens /whole fixture/:
  - 5W – 400lm; 7W – 560lm
- Power Supply: control gear, DC device – driver, included in the set
- LED type: COB
- Light source: Epistar Taiwan
- Colour rendering index: Ra≥80
- Switch on/off > 15000
- Protection against dust and moisture : IP20
- Housing: aluminum alloy
- Colour of the housing: white; satin nickel
- Long life: 30000 hours
- Beam angle: 60°
- Installation: recessed mounting

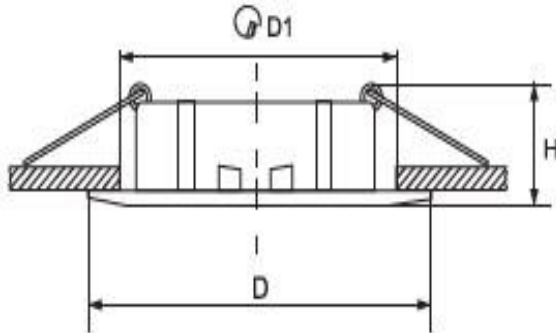
## **Areas of application**

- Commercial buildings
- Administrative buildings
- Residential buildings
- Banks
- Hospitals
- Schools
- Entertainment and leisure spots

## **Product benefits**

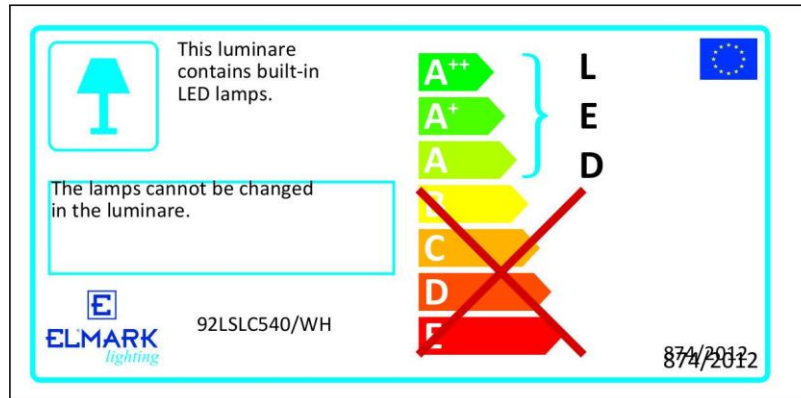
- Energy-saving fixture in replacement of fluorescent downlights
- Safety, low voltage operation
- Installation in suspended ceilings
- Pleasant and uniform light distribution
- Low power consumption
- Repeated switch on/off does not affect the lifespan
- Instant light with maximum luminous flux
- Environmentally friendly - no mercury and lead
- No ultraviolet and infrared rays
- Resistant to shock and vibration-free body
- Low heat emission
- Compact size

## Variants and dimensions



Watt	LED chip lumens (lm)	Whole fixture lumens (lm)	Colour temp. (K)	Colour body	Size			Catalogue number	Packing (pcs)
					D	H	D1		
5W	500	400	4000-4300	white	85	50	75	92LSLC540/WH	50
5W	500	400	2700-3000	white	85	50	75	92LSLC527/WH	50
5W	500	400	4000-4300	satin nickel	85	50	75	92LSLC540/SN	50
5W	500	400	2700-3000	satin nickel	85	50	75	92LSLC527/SN	50
7W	700	560	4000-4300	white	85	50	75	92LSLC740/WH	50
7W	700	560	2700-3000	white	85	50	75	92LSLC727/WH	50
7W	700	560	4000-4300	satin nickel	85	50	75	92LSLC740/SN	50
7W	700	560	2700-3000	satin nickel	85	50	75	92LSLC727/SN	50

## Energy efficiency



## Barcodes

Barcode	Catalogue number
3800131185785	92LSLC540/WH
3800131185792	92LSLC527/WH
3800131185808	92LSLC740/WH
3800131185815	92LSLC727/WH
3800131185822	92LSLC540/SN
3800131185839	92LSLC527/SN
3800131185846	92LSLC740/SN
3800131185853	92LSLC727/SN

## Standards

EN 55015

EN 61000-3-2; EN 61000-3-3

EN 61547

EN 60598-1; EN 60598-2

